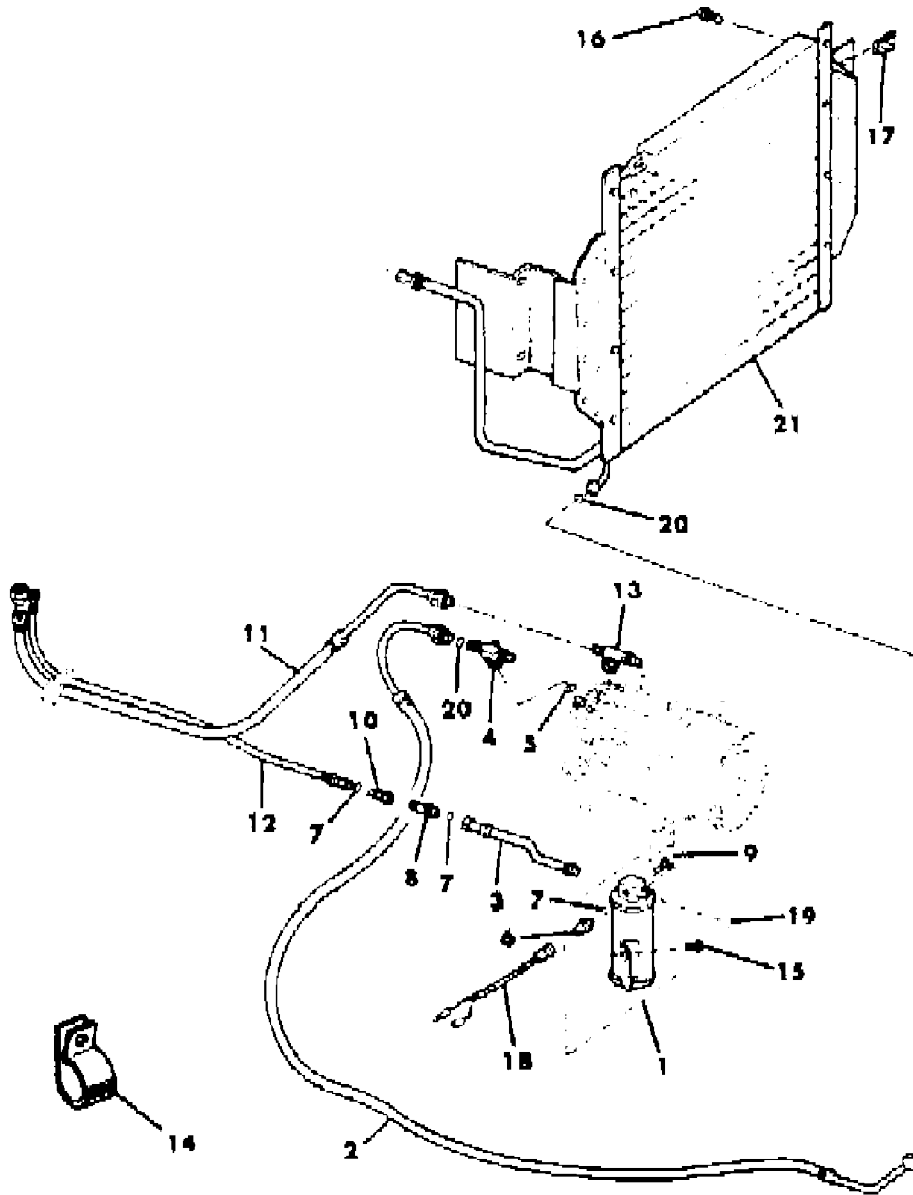


RECEIVER/DRIER AND HOSES WITH FACTORY AIR CONDITIONING CJ-5,6,7,8, SCRAMBLER
Figure 24-2000

81J24 2000



ITEM	PART NUMBER	QTY	BODY	MODEL	DESCRIPTION
1					RECEIVER/DRIER ***
	J812 8141	1			1981: Without Low Pressure Switch
	J813 4556	1			1982-86: With Low Pressure Switch
2					HOSE, Compressor To Condenser
	J812 8143	1			1981: Eight Cylinder
	J812 8143	1			1981: Six Cylinder, Vehicle Serial #000001 thru #020211
	J813 4554	1			1981: Six Cylinder, Vehicle Serial #020212 and higher
	J813 4554	1			1982-86
3					HOSE, Receiver To Quick Coupling
	J812 8142	1			1981: Eight Cylinder
	J812 8142	1			1981: Six Cylinder, Vehicle Serial #000001 thru #020211
	J813 3894	1			1981: Six Cylinder, Vehicle Serial #020212 and after
	J813 3894	1			1982-86
4	J545 9856	1			VALVE, Discharge
5	J322 2353	1			O-RING
6	J813 4555	1			SWITCH, Low Pressure Cut-Out
7	J317 1788	AR			O-RING
8	J317 1794	1			COUPLING, Male ***
9	J369 2994	1			VALVE PACKAGE, Relief ***
10	J317 1795	1			COUPLING, Female ***
11	J812 8136	1			HOSE, Evaporator To Compressor
12	J812 8137	1			HOSE, Quick Coupling To Evaporator
13	J545 9857	1			VALVE, Suction
14	S012 0530	1			CLIP
15	J941 4721	2			SCREW
16	J400 4648	2			SCREW
17	J096 8861	2			NUT, U-Type
18	J576 3596	1			WIRE, Low Freon
19	J321 2113	2			O-RING
20	J321 2112	2			O-RING
21					CORE, Condenser
	J812 8140	1			1981: Eight Cylinder
	J812 8140	1			1981: Six Cylinder, Vehicle Serial #000001 thru #020211
	J813 3893	1			1981: Six Cylinder, Vehicle Serial #020212 and higher
	J813 3893	1			1982-86

MODEL CODES

16=Cherokee 2 Dr.(1981-83)	78=Cherokee 4WD-4 Dr.(1984-86)	64=Comanche 2WD-6 Ft. Box(1986)	25=J-10 Truck 7 Ft. Box(1981-84)
17=Cherokee 2 Dr.(1981-83)	85=CJ-5 (1981-83)	66=Comanche 2WD-7 Ft. Box(1986)	26=J10 Truck 8 Ft. Box(1981-86)
73=Cherokee 2WD-2 Dr.(1984-86)	86=CJ-6(1981)	63=Comanche 4WD-6 Ft. Box(1986)	27=J-20 Truck 8 Ft. Box(1981-86)
74=Cherokee 2WD-4 Dr.(1984-86)	87=CJ-7(1981-86)	65=Comanche 4WD-7 Ft. Box(1986)	15=Wagoneer 4 Dr.(1981-83)
18=Cherokee 4 Dr.(1981-83)	88=CJ-8, Scrambler(1981-86)	15=Grand Wagoneer 4 Dr.(1984-86)	75=Wagoneer 4WD-4 Dr.(1984-86)
77=Cherokee 4WD-2 Dr.(1984-86)			

BODY

CJ=CJ-5, CJ-6, CJ-7, CJ-8, Scrambler(1981-86)
MJ=Comanche Pickup(1986)

STYLES

SJ=Wagoneer(1981-83), Grand Wagoneer(1984-86),
Cherokee(1981-83), J-10, J-20(1981-86)
XJ=Wagoneer(1984-86), Cherokee(1984-86)

AR = Use as Required - = Non Illustrated Part P.A.R. = Paint as Required