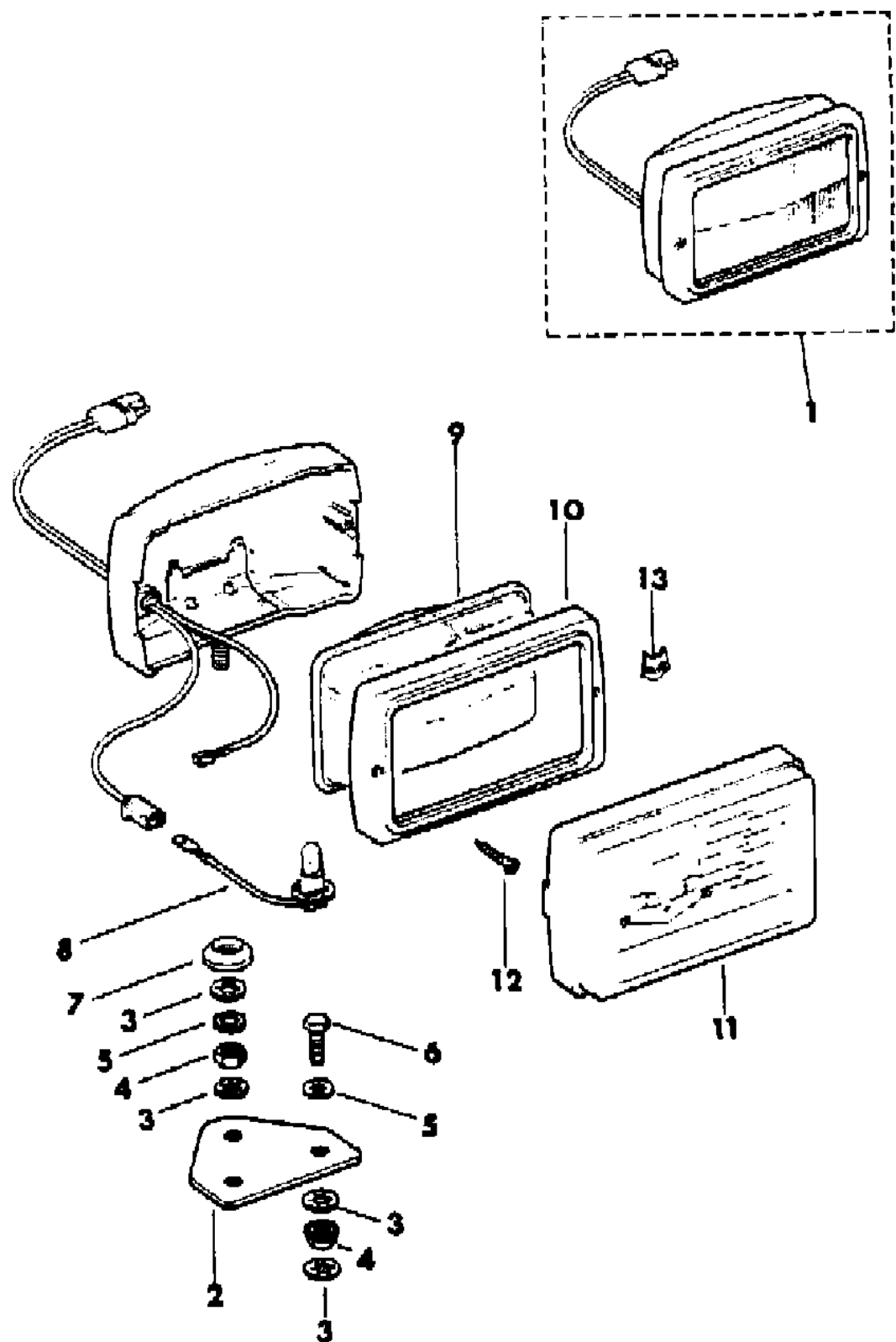


LAMPS--FRONT FOG CJ-5,6,7,8, SCRAMBLER  
Figure 8-6700

81J08 6700



| ITEM | PART NUMBER | QTY | BODY | MODEL | DESCRIPTION              |
|------|-------------|-----|------|-------|--------------------------|
| 1    |             |     |      |       | LAMP, Fog                |
|      | J575 6841   | 2   |      |       | Clear                    |
|      | J575 6842   | 2   |      |       | Amber                    |
| 2    | J575 6733   | 2   |      |       | BRACKET                  |
| 3    | J400 3084   | 4   |      |       | RETAINER                 |
| 4    | J027 1190   | 4   |      |       | NUT                      |
| 5    | J400 6601   | 4   |      |       | WASHER                   |
| 6    | J400 6602   | 4   |      |       | BOLT                     |
| 7    | J813 2883   | 2   |      |       | BASE                     |
| 8    | J813 3441   | 2   |      |       | BLUB, Quartz Halogen *** |
| 9    | J813 3440   | 2   |      |       | LENS, Fog Lamp           |
| 10   | J813 3442   | 2   |      |       | BEZEL                    |
| 11   |             |     |      |       | COVER, Fog Lamp          |
|      | J575 6840   | 2   |      |       | White                    |
|      | 5600 2068   | 2   |      |       | Black                    |
| 12   | J400 3924   | 4   |      |       | SCREW                    |
| 13   |             |     |      |       | MEDALLION                |
|      | 8350 2831   | 2   |      |       | Black                    |
|      | 8350 2842   | 2   |      |       | Gold                     |

MODEL CODES

|                                |                                |                                  |                                  |
|--------------------------------|--------------------------------|----------------------------------|----------------------------------|
| 16=Cherokee 2 Dr.(1981-83)     | 78=Cherokee 4WD-4 Dr.(1984-86) | 64=Comanche 2WD-6 Ft. Box(1986)  | 25=J-10 Truck 7 Ft. Box(1981-84) |
| 17=Cherokee 2 Dr.(1981-83)     | 85=CJ-5 (1981-83)              | 66=Comanche 2WD-7 Ft. Box(1986)  | 26=J10 Truck 8 Ft. Box(1981-86)  |
| 73=Cherokee 2WD-2 Dr.(1984-86) | 86=CJ-6(1981)                  | 63=Comanche 4WD-6 Ft. Box(1986)  | 27=J-20 Truck 8 Ft. Box(1981-86) |
| 74=Cherokee 2WD-4 Dr.(1984-86) | 87=CJ-7(1981-86)               | 65=Comanche 4WD-7 Ft. Box(1986)  | 15=Wagoneer 4 Dr.(1981-83)       |
| 18=Cherokee 4 Dr.(1981-83)     | 88=CJ-8, Scrambler(1981-86)    | 15=Grand Wagoneer 4 Dr.(1984-86) | 75=Wagoneer 4WD-4 Dr.(1984-86)   |
| 77=Cherokee 4WD-2 Dr.(1984-86) |                                |                                  |                                  |

BODY

CJ=CJ-5, CJ-6, CJ-7, CJ-8, Scrambler(1981-86)  
MJ=Comanche Pickup(1986)

STYLES

SJ=Wagoneer(1981-83), Grand Wagoneer(1984-86),  
Cherokee(1981-83), J-10, J-20(1981-86)  
XJ=Wagoneer(1984-86), Cherokee(1984-86)

AR = Use as Required - = Non Illustrated Part P.A.R. = Paint as Required