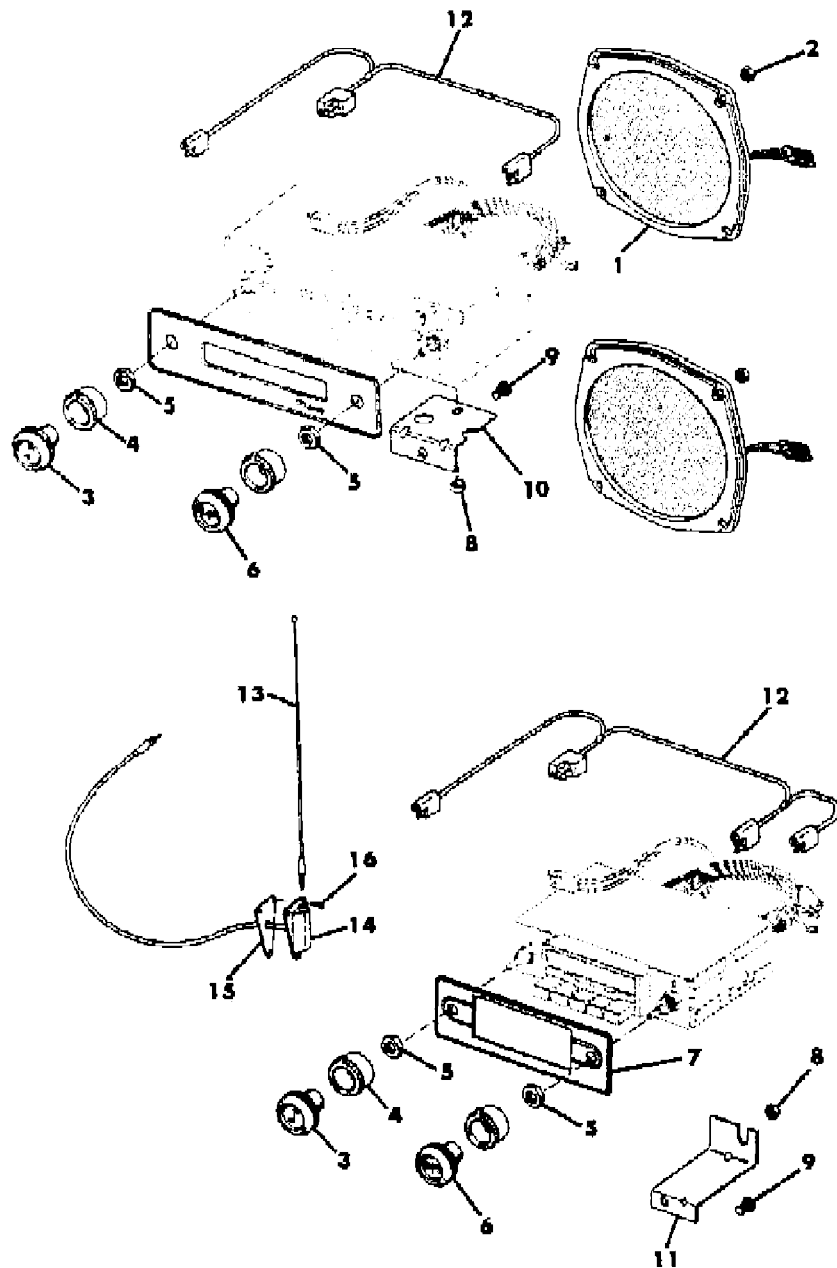


# ANTENNA, SPEAKERS AND RADIO KNOBS CJ-5,6,7,8 SCRAMBLER

Figure 8A-600

81J 082 600



ITEM	PART NUMBER	QTY	BODY	MODEL	DESCRIPTION
1					SPEAKER
	J575 8333	1			Am Radio
	J576 2589	2			Am/Fm Radio
2	J027 1163	8			NUT
3					KNOB, Volume
	J545 9112	1			Am Radio
	J576 2663	1			Am/Fm Radio
4	J576 2664	2			KNOB, Tone
5					NUT
	J400 0099	2			Am Radio
	J420 0331	2			Am/Fm Radio
6					KNOB, Tuning
	J545 9113	1			Am Radio
	J576 2663	1			Am/Fm Radio
7	J576 2662	1			BEZEL
8					NUT
	J027 1166	1			NUT
	J027 1172	1			Am/Fm Radio
9					SCREW
	J016 4487	1			Am Radio
	S150 3056	1			Am/Fm Radio
10	J546 2706	1			BRACKET
11	J576 3676	1			BRACKET
12					HARNES, Speaker
	J575 2946	1			Am Radio
	J576 2660	1			Am/Fm Radio
13	J899 3415	1			ANTENNA
14	J812 7842	1			BASE, with cable
15	J097 5528	1			PAD, Antenna
16	J400 2807	3			SCREW

**MODEL CODES**

16=Cherokee 2 Dr.(1981-83)	78=Cherokee 4WD-4 Dr.(1984-86)	64=Comanche 2WD-6 Ft. Box(1986)	25=J-10 Truck 7 Ft. Box(1981-84)
17=Cherokee 2 Dr.(1981-83)	85=CJ-5 (1981-83)	66=Comanche 2WD-7 Ft. Box(1986)	26=J10 Truck 8 Ft. Box(1981-86)
73=Cherokee 2WD-2 Dr.(1984-86)	86=CJ-6(1981)	63=Comanche 4WD-6 Ft. Box(1986)	27=J-20 Truck 8 Ft. Box(1981-86)
74=Cherokee 2WD-4 Dr.(1984-86)	87=CJ-7(1981-86)	65=Comanche 4WD-7 Ft. Box(1986)	15=Wagoneer 4 Dr.(1981-83)
18=Cherokee 4 Dr.(1981-83)	88=CJ-8, Scrambler(1981-86)	15=Grand Wagoneer 4 Dr.(1984-86)	75=Wagoneer 4WD-4 Dr.(1984-86)
77=Cherokee 4WD-2 Dr.(1984-86)			

**BODY**

CJ=CJ-5, CJ-6, CJ-7, CJ-8, Scrambler(1981-86)  
 MJ=Comanche Pickup(1986)

**STYLES**

SJ=Wagoneer(1981-83), Grand Wagoneer(1984-86),  
 Cherokee(1981-83), J-10, J-20(1981-86)  
 XJ=Wagoneer(1984-86), Cherokee(1984-86)

AR = Use as Required - = Non Illustrated Part P.A.R. = Paint as Required